

Typical Data for Models 2604-3A and 2604-3B Bandpass Filters

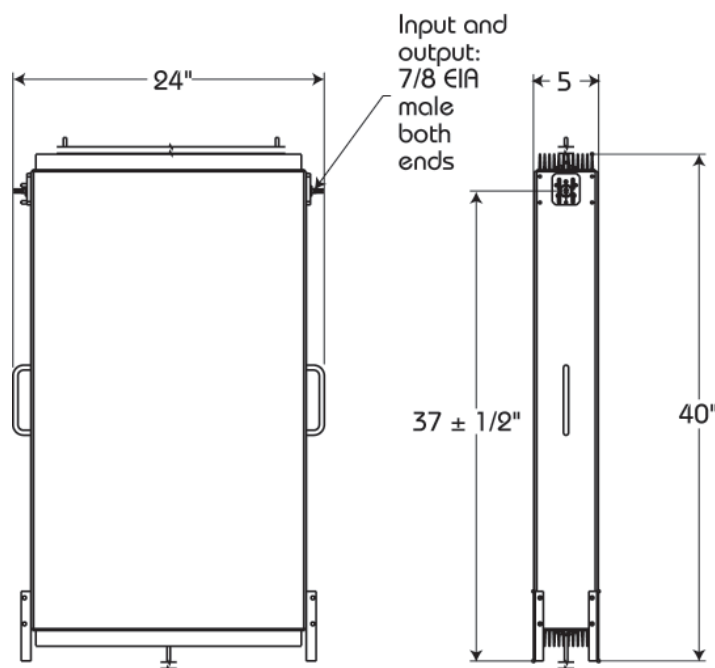
Performance Specifications

Type:	Interdigital	
Size:	4"	
No. of Poles:	3	
Typical VSWR	at F_0 :	< 1.05:1
	at ± 200 kHz:	< 1.10:1
Typical Insertion Loss:	< 0.50 dB	
Typical Frequency Response (deviation from center frequency)	at ± 100 kHz:	-0.04 dB
	at ± 150 kHz:	-0.08 dB
	at ± 200 kHz:	-0.10 dB
Typical Group Delay (deviation from center frequency)	at ± 100 kHz:	20 nsec
	at ± 150 kHz:	50 nsec
	at ± 200 kHz:	100 nsec
Typical Bandwidth:	± 200 kHz	



Dimensions:

NOTE
Blowers for the forced-air-cooled units occupy a footprint of approximately 24" x 24" (51 x 51 cm). They must be located near the output end of the filter, but are not included in the length shown.



Inputs, Outputs, and Weight:

	Model 2604-3A	Model 2604-3B
Maximum Input Power:	2-1/2 kW	4 kW
Cooling:	Convection	Forced Air
Inputs:	7/8" EIA	7/8" EIA
Outputs:	7/8" EIA	7/8" EIA
Shipping Weight:	88 lb (40 kg)	108 lb (49 kg)

Document No. ds-2604-3 (110902)

A Division of Howell Laboratories, Inc., P. O. Box 389, Bridgton, Maine 04009 USA
 (207) 647-3327 1-888-SHIVELY Fax: (207)647-8273
 An Employee-Owned Company

www.shively.com
 sales@shively.com
 Certified to ISO-9001