

## Models 2606-4A and 2606-4B Bandpass Filters

### Performance Specifications

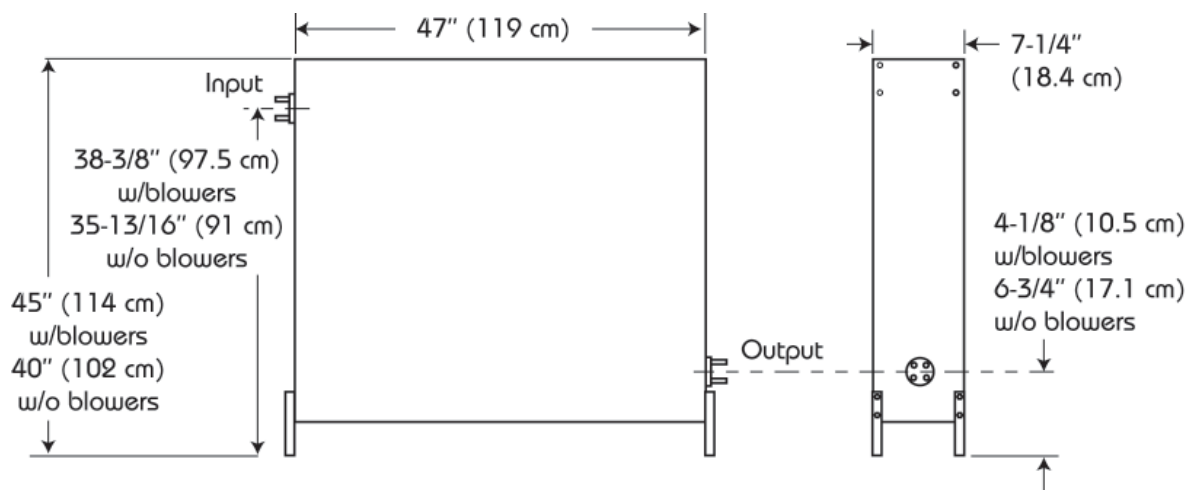
		2606-4A	2606-4B
Type:		Interdigital	
Maximum Input Power:		5 kW	8 kW
Size:		6"	
No. of Poles:		4	
Cooling:		Convection	Forced Air
Typical VSWR	at ± 100 kHz:	1.06:1	
	at ± 150 kHz:	1.04:1	
	at ± 200 kHz:	1.10:1	
Typical Insertion Loss:		-0.70 dB	
Typical Frequency Response (deviation from center frequency)	at ± 100 kHz:	-0.01 dB	
	at ± 150 kHz:	-0.02 dB	
	at ± 200 kHz:	-0.05 dB	
Typical Group Delay (deviation from center frequency)	at ± 100 kHz:	25 nsec	
	at ± 150 kHz:	50 nsec	
	at ± 200 kHz:	150 nsec	
Typical Bandwidth:		± 200 kHz	



### Inputs, Outputs, and Weight:

	Model 2606-4A	Model 2606-4B
Inputs:	1-5/8" EIA	1-5/8" EIA
Outputs:	1-5/8" EIA	1-5/8" EIA
Shipping Weight:	195 lb (89 kg)	200 lb (91 kg)

### Dimensions



Document No. ds-2606-4 (070608)

A Division of Howell Laboratories, Inc., P. O. Box 389, Bridgton, Maine 04009 USA  
 (207) 647-3327 1-888-SHIVELY Fax: (207)647-8273  
 An Employee-Owned Company

www.shively.com  
 sales@shively.com  
 Certified to ISO-9001:2000