

Data for Models 2630-2A-06 and 2630-2B-06 Two-Station Branched Combiners

Performance Specifications

Type:	Interdigital	
Size:	6"	
No. of Poles per Station:	3	
Typical VSUR	at ± 100 kHz:	1.05:1
	at ± 150 kHz:	1.05:1
	at ± 200 kHz:	1.10:1
Typical Insertion Loss:	-0.45 dB	
Typical Frequency Response (deviation from center frequency)	at ± 100 kHz:	-0.04 dB
	at ± 150 kHz:	-0.08 dB
	at ± 200 kHz:	-0.10 dB
Typical Group Delay (deviation from center frequency)	at ± 100 kHz:	25 nsec
	at ± 150 kHz:	50 nsec
	at ± 200 kHz:	200 nsec
Typical Bandwidth:	± 200 kHz	
Spur Rejection, 800 kHz or greater:	Greater than 80 dB	



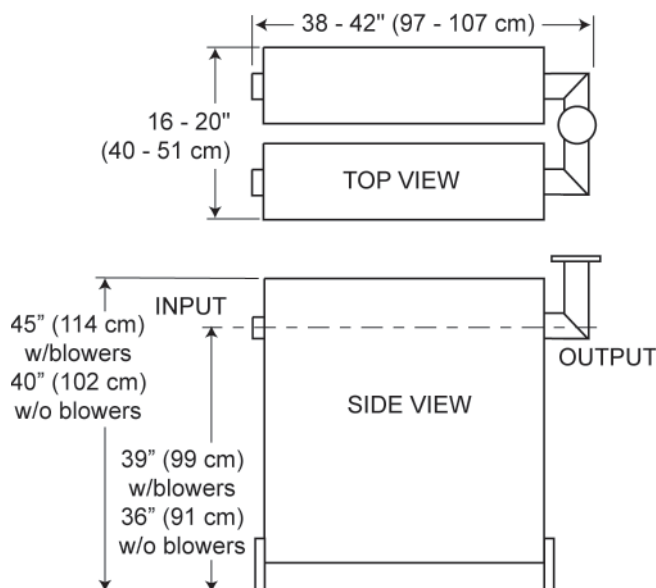
Power Rating:

	Model 2630-2A-06	Model 2630-2B-06
Maximum Input Power:	5 kW	8 kW
Cooling:	Convection	Forced Air

Inputs, Outputs, and Weight:

	Model 2630-2A-06	Model 2630-2B-06
Inputs:	1-5/8" EIA	1-5/8" EIA
Outputs:	3-1/8" EIA	3-1/8" EIA
Shipping Weight:	380 lb (173 kg)	390 lb (177 kg)

Dimensions:



Document No. ds-2630-2-06 (070801)