

## Data for Models 2640-06-1/1 and 2640-06-1/3 Balanced Combiner Module Performance Specifications

Type:	Interdigital	
Size:	6"	
No. of Cavities per Filter:	4	
Typical VSWR	at $\pm 100$ kHz:	1.04:1
	at $\pm 150$ kHz:	1.04:1
	at $\pm 200$ kHz:	1.06:1
Typical Insertion Loss:	-0.70 dB	
Typical Frequency Response (deviation from center frequency)	at $\pm 100$ kHz:	-0.01 dB
	at $\pm 150$ kHz:	-0.02 dB
	at $\pm 200$ kHz:	-0.05 dB
Typical Group Delay (deviation from center frequency)	at $\pm 100$ kHz:	25 nsec
	at $\pm 150$ kHz:	50 nsec
	at $\pm 200$ kHz:	120 nsec
Typical Bandwidth:	$\pm 200$ kHz	
Spur Rejection, $\pm 800$ kHz or greater:	Greater than 80 dB	



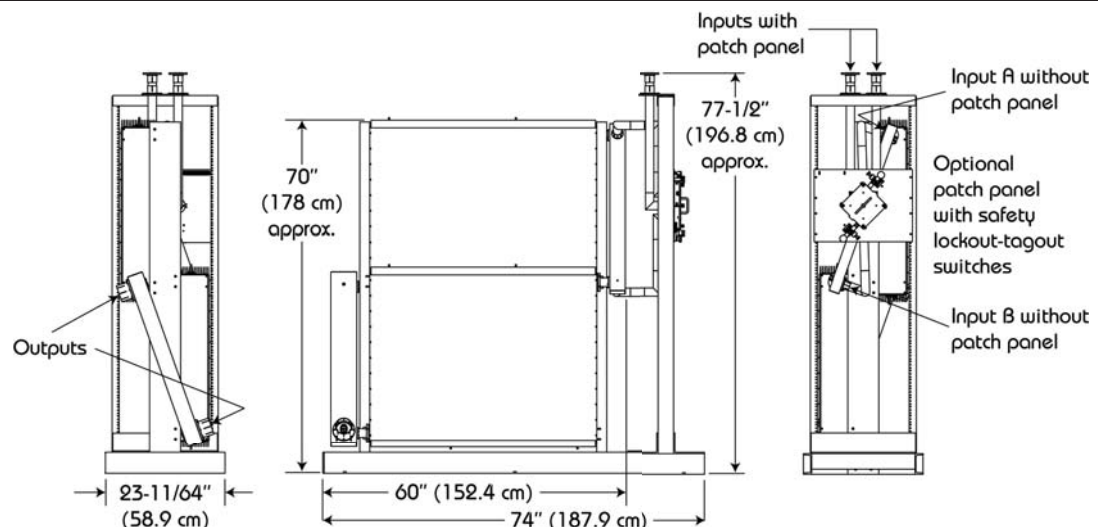
Model 2640-3A with its designer, Alan Plummer

### Inputs, Outputs, and Weight:

		2640-06-1/1	2640-06-1/3
Input Connection:		1-5/8" EIA	
Input Hybrid:		1-5/8" EIA	
Output Connection:		1-5/8" EIA	3-1/8" EIA
Output Hybrid:		1-5/8" EIA	3-1/8" EIA
Maximum Filter Input Power:		10 kW	
Maximum Power through Output Hybrid:	Average	10 kW	40 kW
	Peak	TBD	440 kW
Shipping Weight:		500 lb (227 kg)	

### Dimensions:

**NOTE**  
Dimensions shown are from a recent unit. Other configurations are available.



Document No. ds-2640-06 (100616)

A Division of Howell Laboratories, Inc., P. O. Box 389, Bridgton, Maine 04009 USA  
(207) 647-3327 1-888-SHIVELY Fax: (207)647-8273  
An Employee-Owned Company

www.shively.com  
sales@shively.com  
Certified to ISO-9001:2000