

## Typical Data for Models 2712-3A and 2712-3B Bandpass Filters

### Performance Specifications

Type:		Resonant Cavity
Cavity size:		12"
No. of cavities:		3
Typical VSWR	at $F_0$ :	1.05:1
	at $\pm 200$ kHz:	1.10:1
Typical insertion loss:		$\approx -0.23$ dB
Typical frequency response (deviation from center frequency)	at $\pm 100$ kHz:	-0.04 dB
	at $\pm 150$ kHz:	-0.08 dB
	at $\pm 200$ kHz:	-0.10 dB
Typical group delay (deviation from center frequency)	at $\pm 100$ kHz:	20 nsec
	at $\pm 150$ kHz:	40 nsec
	at $\pm 200$ kHz:	150 nsec
Typical bandwidth:		$\pm 200$ kHz

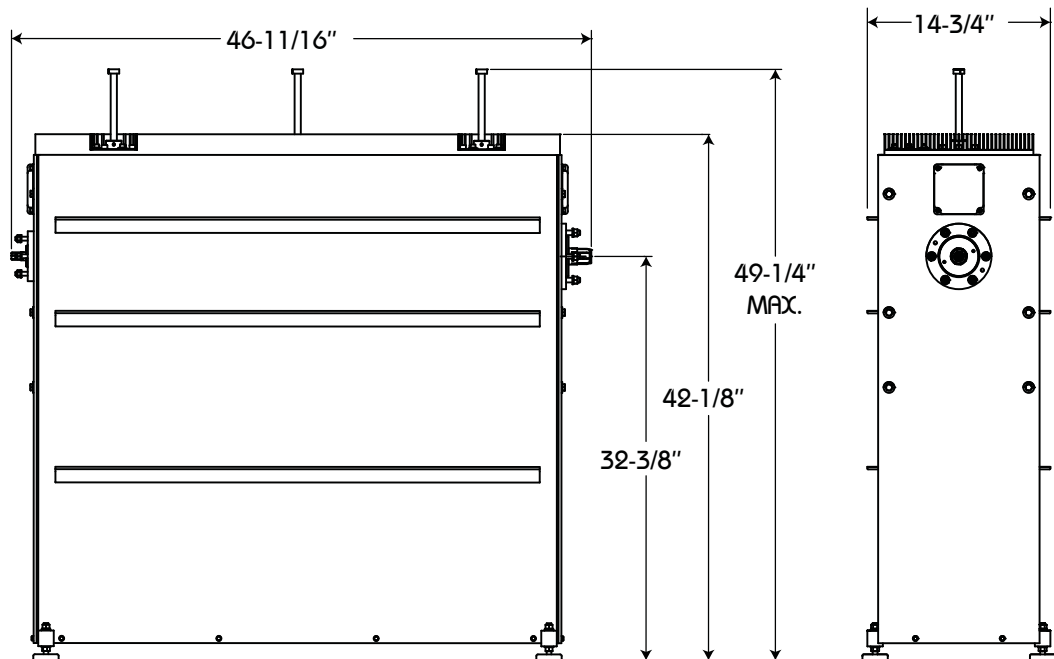


### Inputs, Outputs, and Weight:

	Model 2712-3A	Model 2712-3B
Maximum input power:	10 kW	15 kW
Inputs:	1-5/8" EIA	1-5/8" EIA
Outputs:	1-5/8" EIA	1-5/8" EIA
Cooling:	Convection	Forced Air
Shipping weight:	230 lb (105 kg)	250 lb (114 kg)

Other options available; contact the factory.

### Dimensions:



Document No. ds-2712-3 (170814)

A Division of Howell Laboratories, Inc., P. O. Box 389, Bridgton, Maine 04009 USA

(207) 647-3327

1-888-SHIVELY

Fax: (207)647-8273

An Employee-Owned Company

www.shively.com

sales@shively.com

Certified to ISO-9001