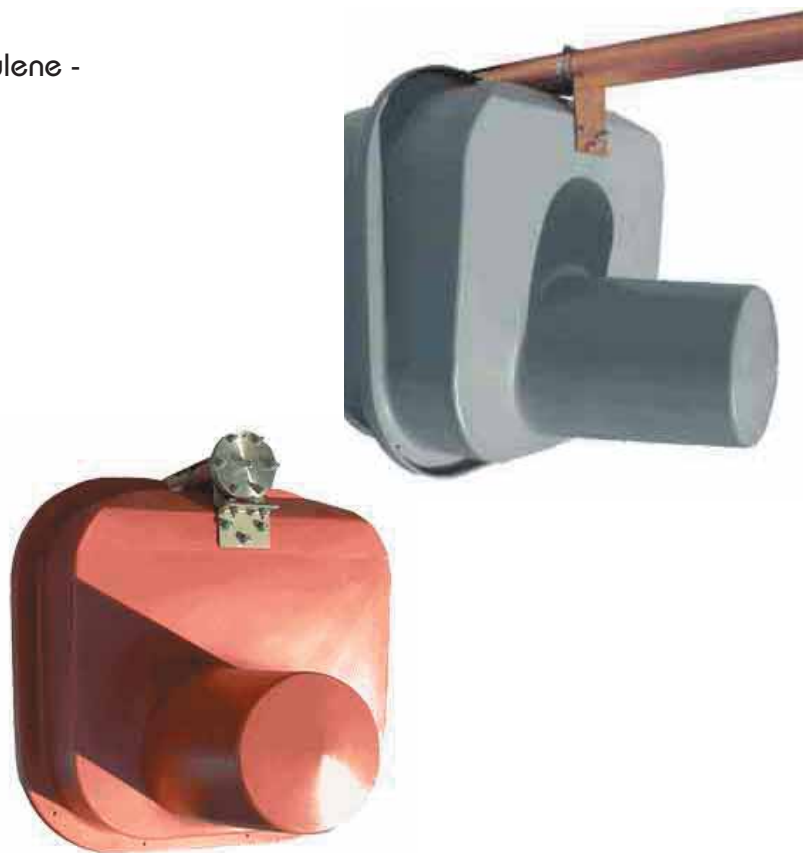


Radomes

Features

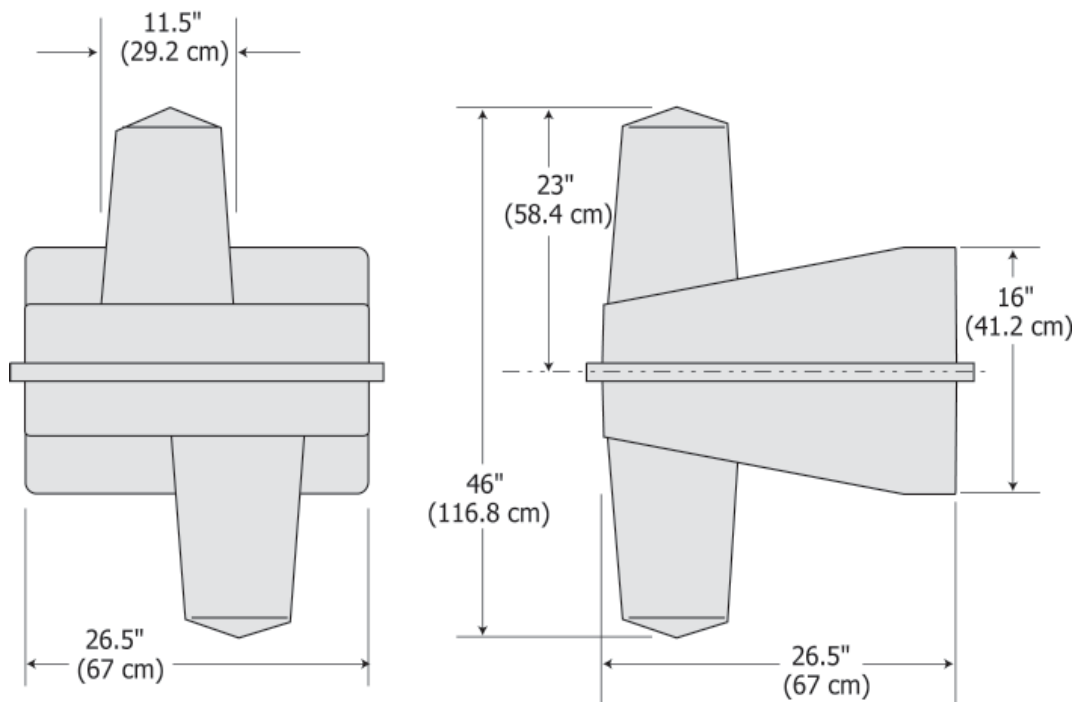
- Manufactured of High-Density Polyethylene - no fiberglass
- Unaffected by UV Radiation
- Extremely Low RF Loss
- Mounts Directly to Feedline or Tower
- Specially Pigmented
- Only Protection Against Rime Ice
- No Wiring or Electrical Costs
- Three Sizes Available

Two colors available.



Dimensions:

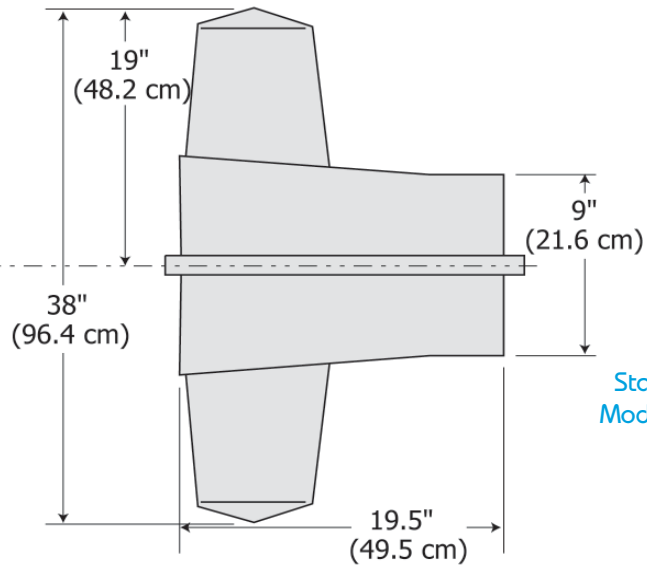
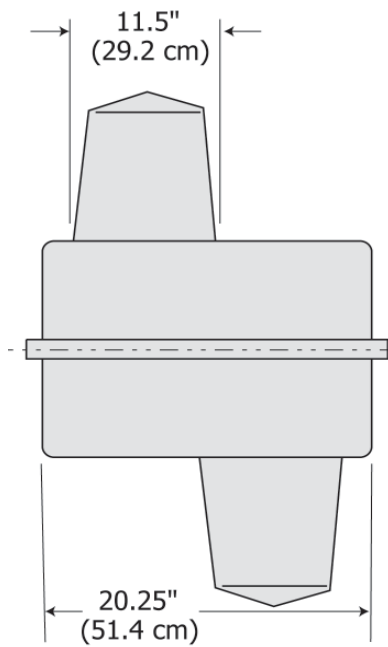
Standard Full Radome for Models 6600, 6810



Document No. ds-radomes (0704)

A Division of Howell Laboratories, Inc., P. O. Box 389, Bridgton, Maine 04009 USA
 (207) 647-3327 1-888-SHIVELY Fax: (207)647-8273
 An Employee-Owned Company

www.shively.com
 sales@shively.com
 Certified to ISO-9001:2000



Standard Full Radome for
Models 6602B, 6812B and
6813

Standard Radome for Model 6814R

XXLR Radome for Models 6600, 6810,
6813, & 6812B)

