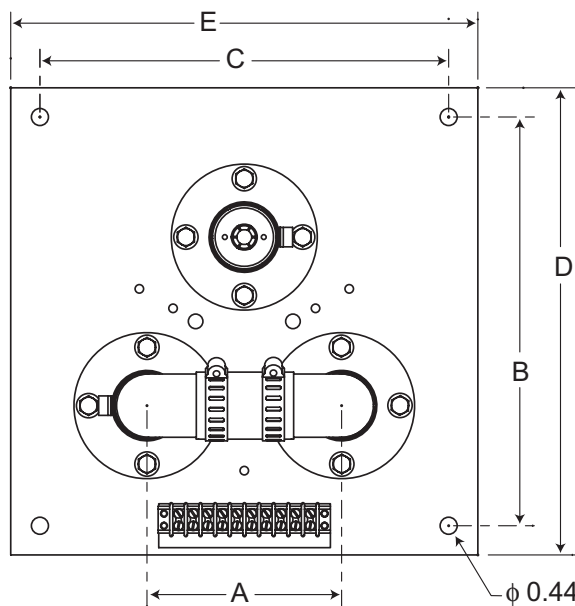
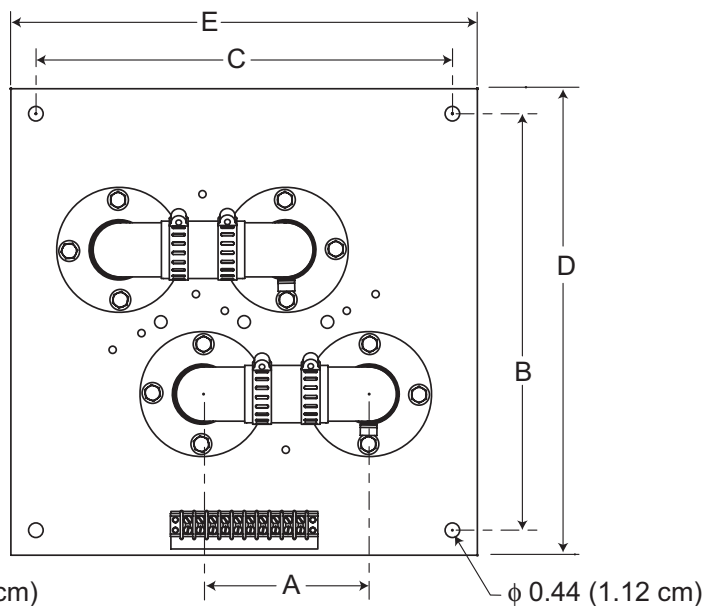


Patch Panel Dimensions

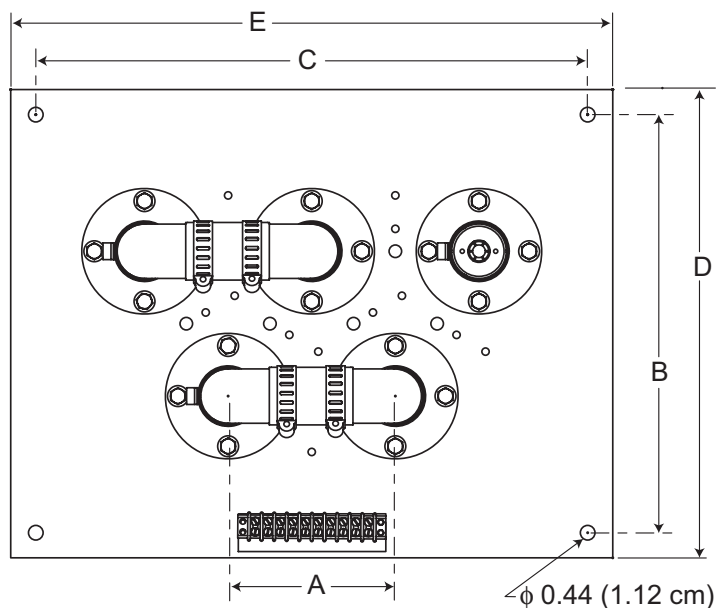
Size and Mounting Footprint



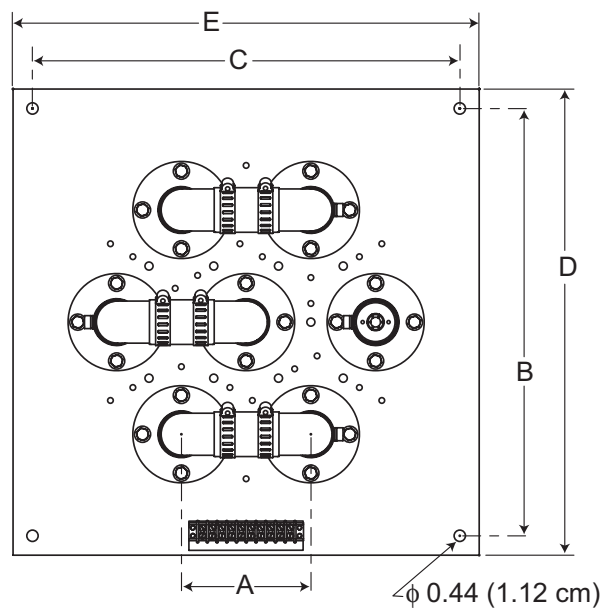
3-PORT, FRONT VIEW



4-PORT, FRONT VIEW



5-PORT, FRONT VIEW



7-PORT, FRONT VIEW

Document No. [tb-patch_panel_dimensions \(080415\)](#)

A Division of Howell Laboratories, Inc., P. O. Box 389, Bridgton, Maine 04009 USA

(207) 647-3327

1-888-SHIVELY

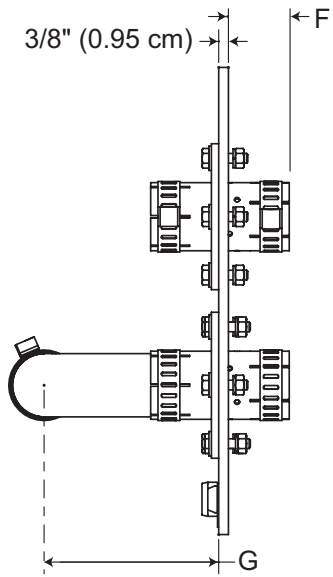
Fax: (207)647-8273

An Employee-Owned Company

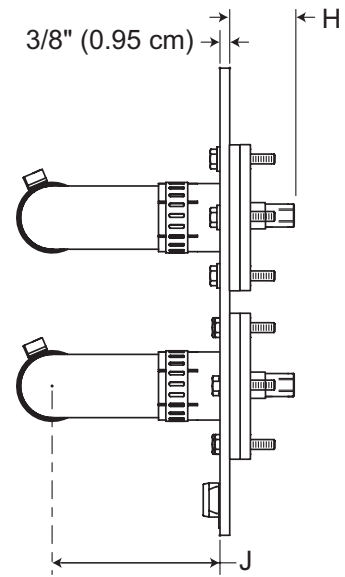
www.shively.com

sales@shively.com

Certified to ISO-9001:2000



SIDE VIEW, NON-FLANGED



SIDE VIEW, FLANGED

Dimensions	Line Size			
	1-5/8"	3-1/8"	4-1/16"	6-1/8"
A (center-center)	5" (12.7 cm)	7" (17.8 cm)	10" (25.4 cm)	12" (30.5 cm)
B (hole ctr-ctr)	10-1/2" (26.7 cm)	14-1/2" (36.8 cm)	18-1/2" (47.0 cm)	22-1/2" (57.2 cm)
C (hole ctr-ctr)	10-1/2" (26.7 cm)	14-1/2" (36.8 cm)	18-1/2" (47.0 cm)	22-1/2" (57.2 cm)
D (panel height)	12" (30.5 cm)	16" (40.6 cm)	20" (50.8 cm)	24" (61.0 cm)
E (panel width)	12" (30.5 cm)	16" (40.6 cm)	20" (50.8 cm)	24" (61.0 cm)
F (panel to end of section)	1-9/16" (4.0 cm)	2" (5.1 cm)	2-3/4" (7.0 cm)	4-3/8" (11.1 cm)
G (panel to centerline)	4-1/2" (11.4 cm)	4-1/4" (10.8 cm)	5-3/4" (14.6 cm)	7-1/4" (18.4 cm)
H (panel to end of inner)	2-3/8" (6.0 cm)	2-1/2" (6.4 cm)	3-3/4" (9.5 cm)	3-5/8" (9.2 cm)
J (panel to centerline)	4" (10.2 cm)	4" (10.2 cm)	5-5/8" (14.3 cm)	6-5/8" (16.8 cm)