

## Radomes

### Features

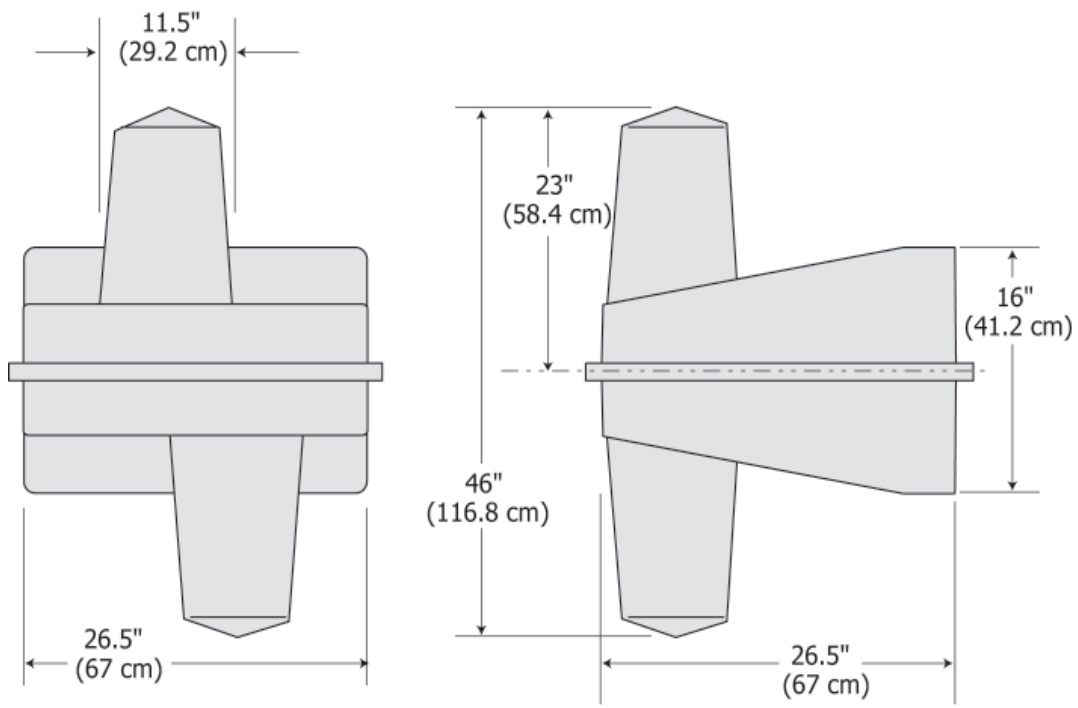
- Manufactured of high-density polyethylene - no fiberglass
- Unaffected by UV radiation
- Extremely low RF loss
- Mounts directly to feedline or tower
- Specially pigmented
- Only protection against rime ice
- No wiring or electrical costs
- Three sizes available

Two colors available.

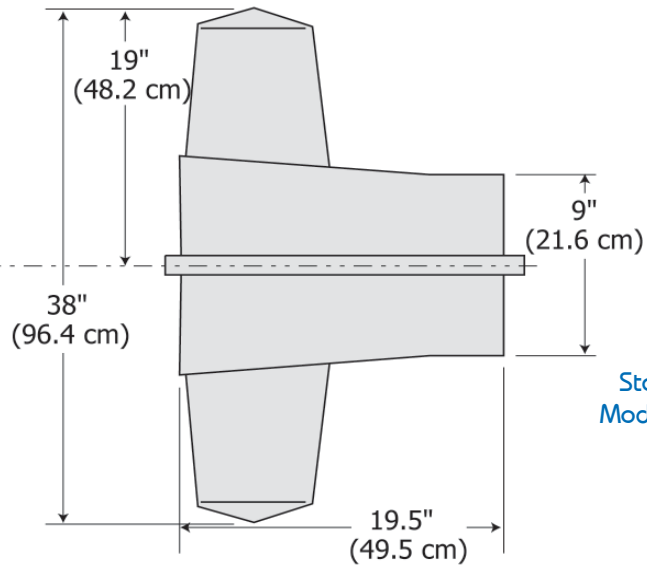
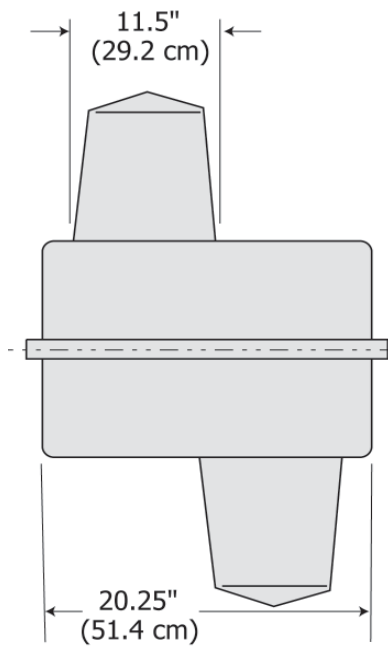


### Dimensions:

Standard full radome for Models 6600, 6810



Document No. ds-radomes (150318)



Standard full radome for  
Models 6602B, 6812B and  
6813

Standard radome for Model 6814R

XXLR radome for Models 6600, 6810,  
6813, & 6812B)

