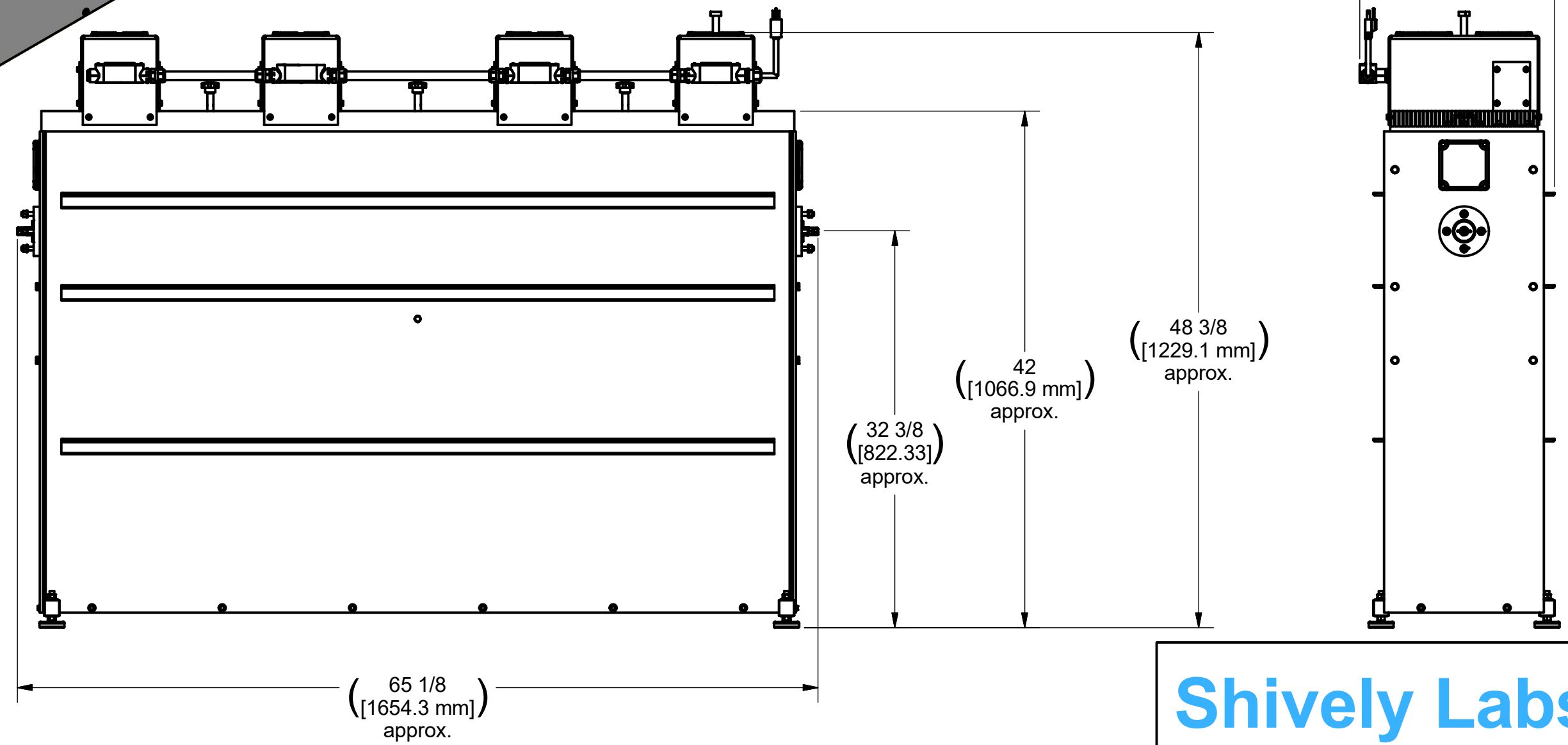
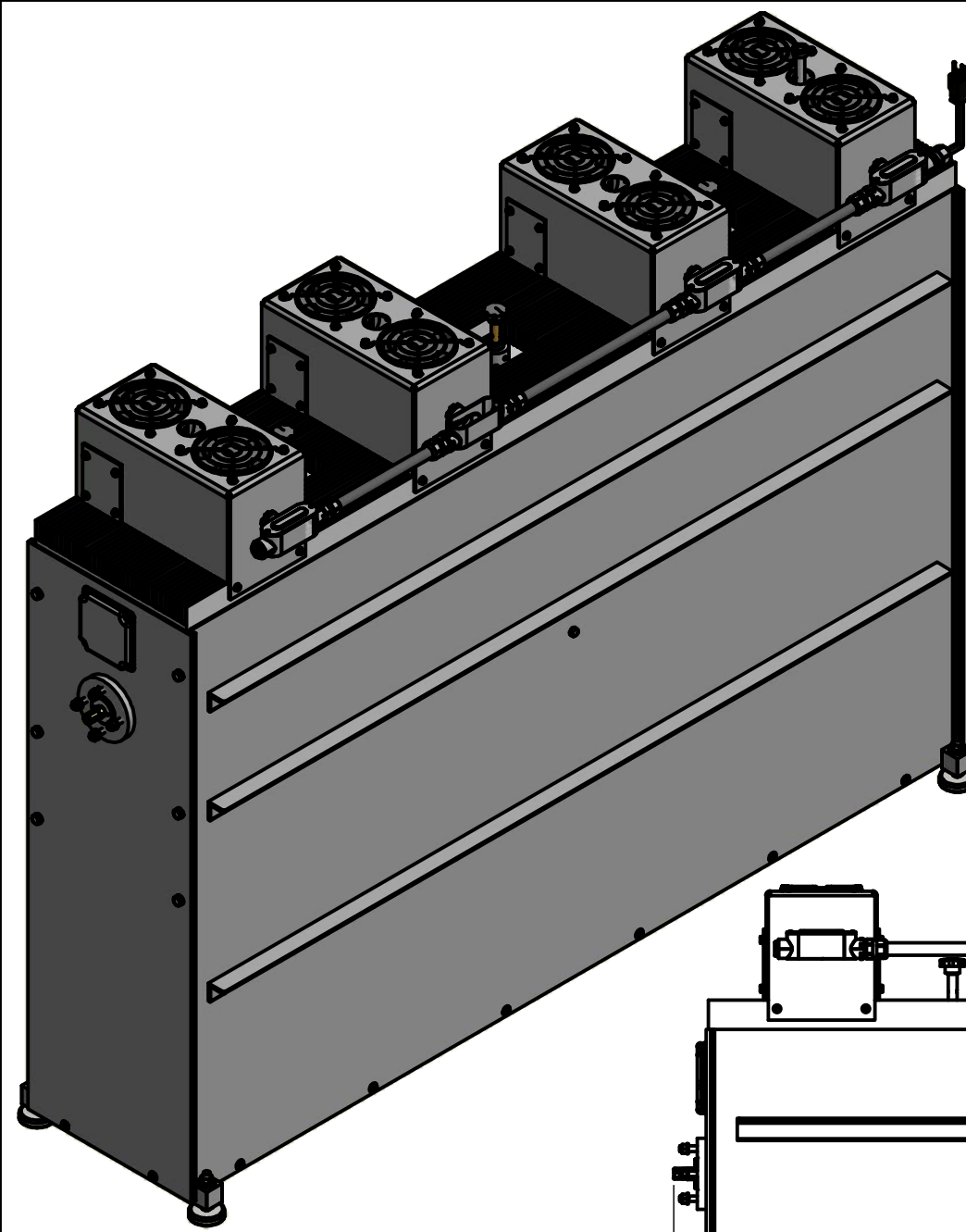


THE DESIGNS, CONSTRUCTIONS, ARRANGEMENTS, DISCLOSURES AND DEVICES SHOWN OR DESCRIBED IN THE PROPOSALS, DRAWINGS, OR SKETCHES BEARING THIS LEGEND ARE THE PROPERTY OF HOWELL LABORATORIES, INC./SHIVELY LABS AND ARE SUBMITTED IN CONFIDENCE WITH THE UNDERSTANDING THAT SUCH DESIGNS, CONSTRUCTIONS, ARRANGEMENTS, DISCLOSURES, AND DEVICES SHALL NOT BE UTILIZED IN WHOLE OR IN PART BY ANY PERSON, FIRM, CORPORATION, OR DISCLOSED TO ANYONE OTHER THAN THE SUBMITTEE, WITHOUT THE PRIOR WRITTEN PERMISSION OF HOWELL LABORATORIES, INC.



2712-4B FOUR POLE
FILTER RATED FOR 15kW,
FORCED AIR COOLING
300lb UNIT
JHFF 1-31-19