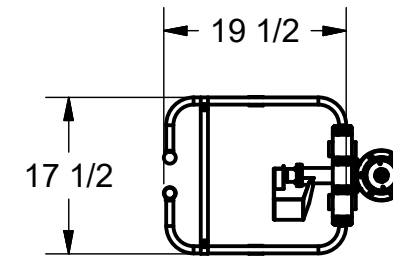
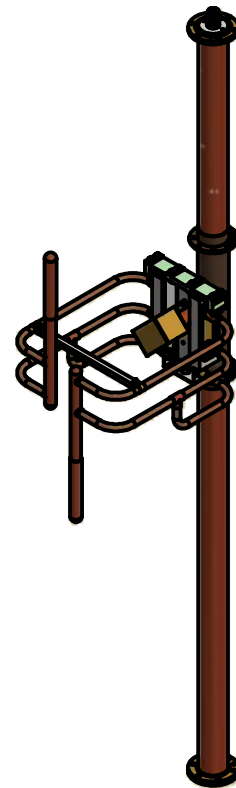
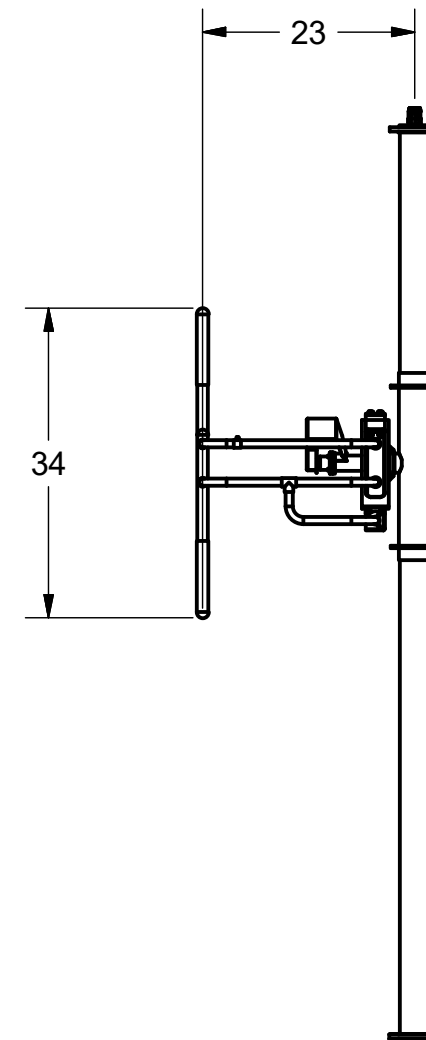


THE DESIGNS, CONSTRUCTIONS, ARRANGEMENTS, DISCLOSURES AND DEVICES SHOWN OR DESCRIBED IN THE PROPOSALS, DRAWINGS, OR SKETCHES BEARING THIS LEGEND ARE THE PROPERTY OF HOWELL LABORATORIES, INC./SHIVELY LABS AND ARE SUBMITTED IN CONFIDENCE WITH THE UNDERSTANDING THAT SUCH DESIGNS, CONSTRUCTIONS, ARRANGEMENTS, DISCLOSURES, AND DEVICES SHALL NOT BE UTILIZED IN WHOLE OR IN PART BY ANY PERSON, FIRM, CORPORATION, OR DISCLOSED TO ANYONE OTHER THAN THE SUBMITTEE, WITHOUT THE PRIOR WRITTEN PERMISSION OF HOWELL LABORATORIES, INC.



TOP VIEW



SIDE VIEW

6810-1 SINGLE BAY ANT.
DIMENSIONS LOW BAND,
WITHOUT STANDARD RADOME
OR FINE MATCHER

JHFF 1-31-19

Shively Labs®