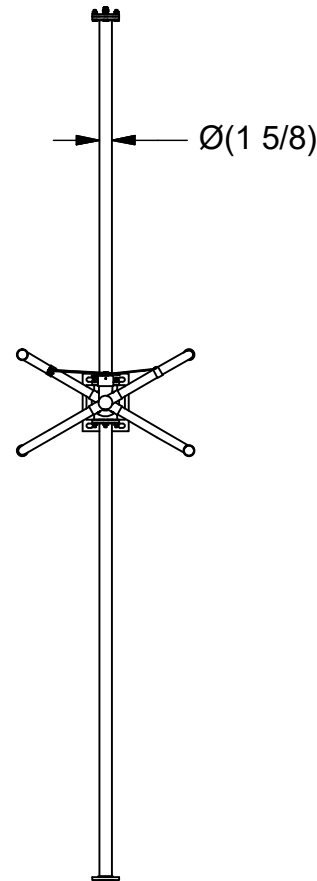
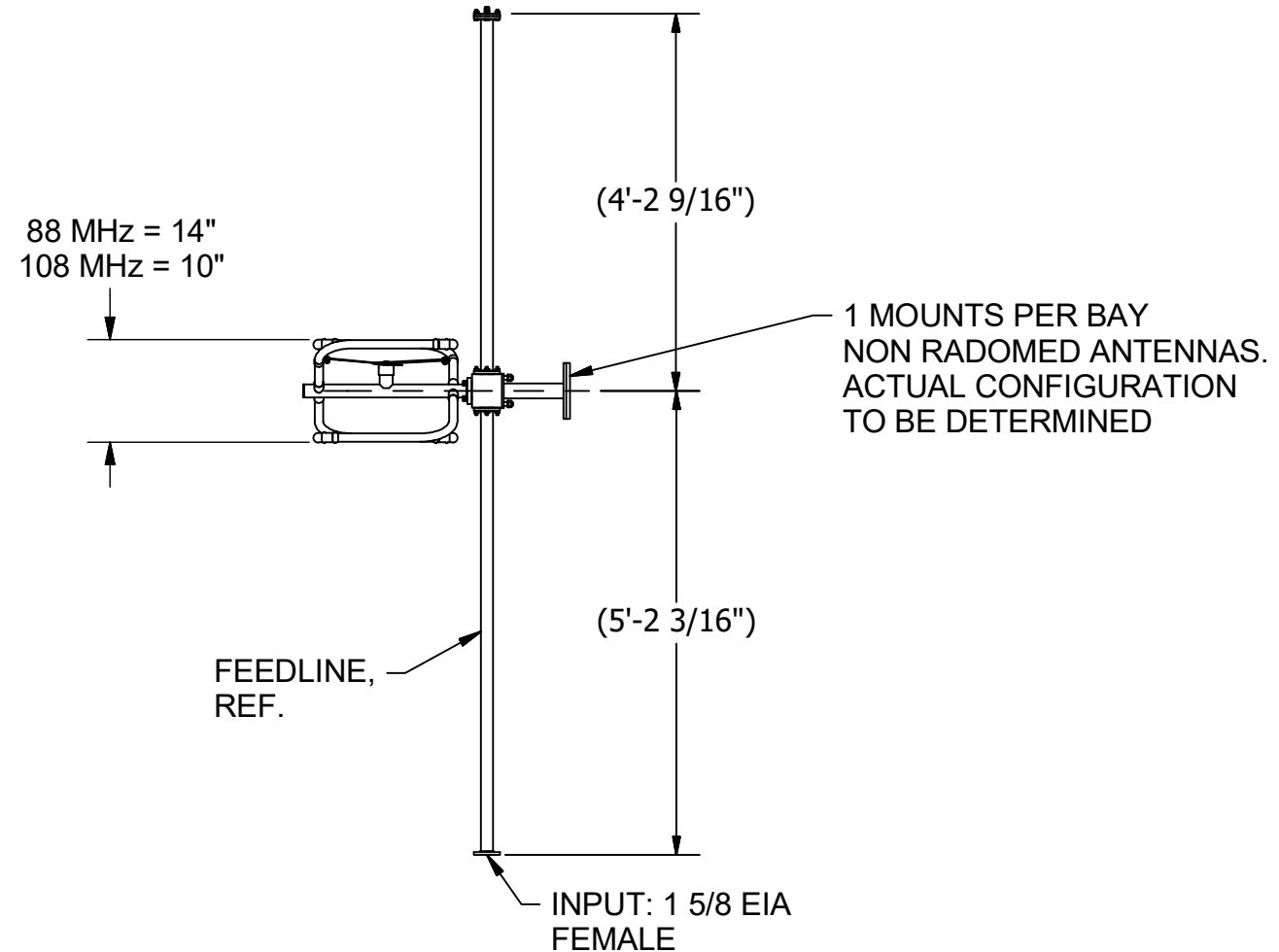


TOP VIEW



FRONT VIEW



SIDE VIEW

6815-1 SINGLE
BAY DIMENSIONS
88-108 MHz WITHOUT
RADOME OR FINE MATCHER

Shively Labs®