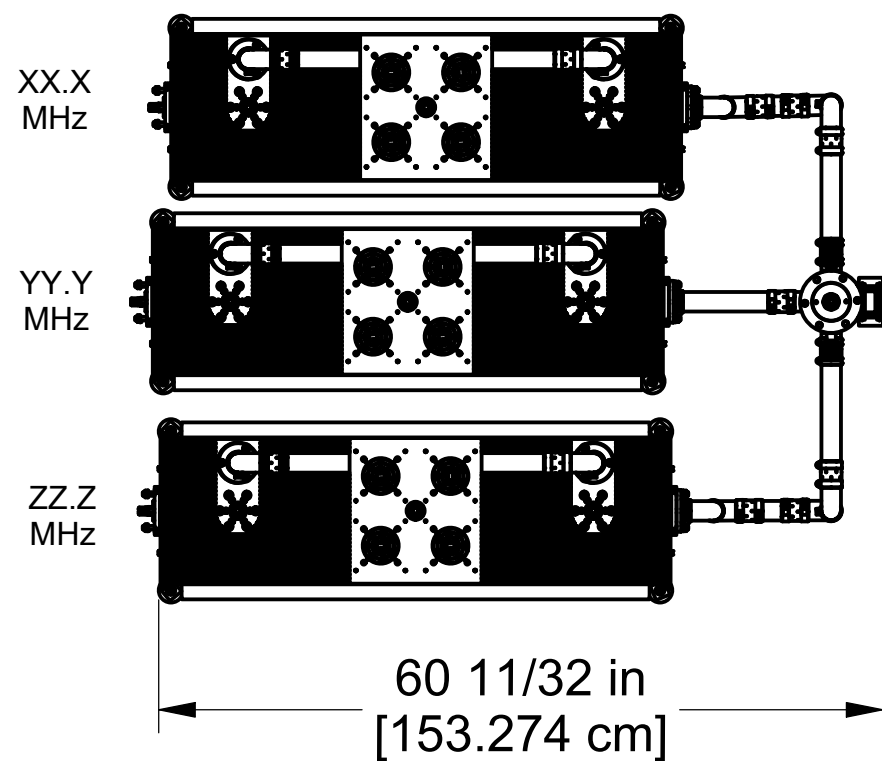
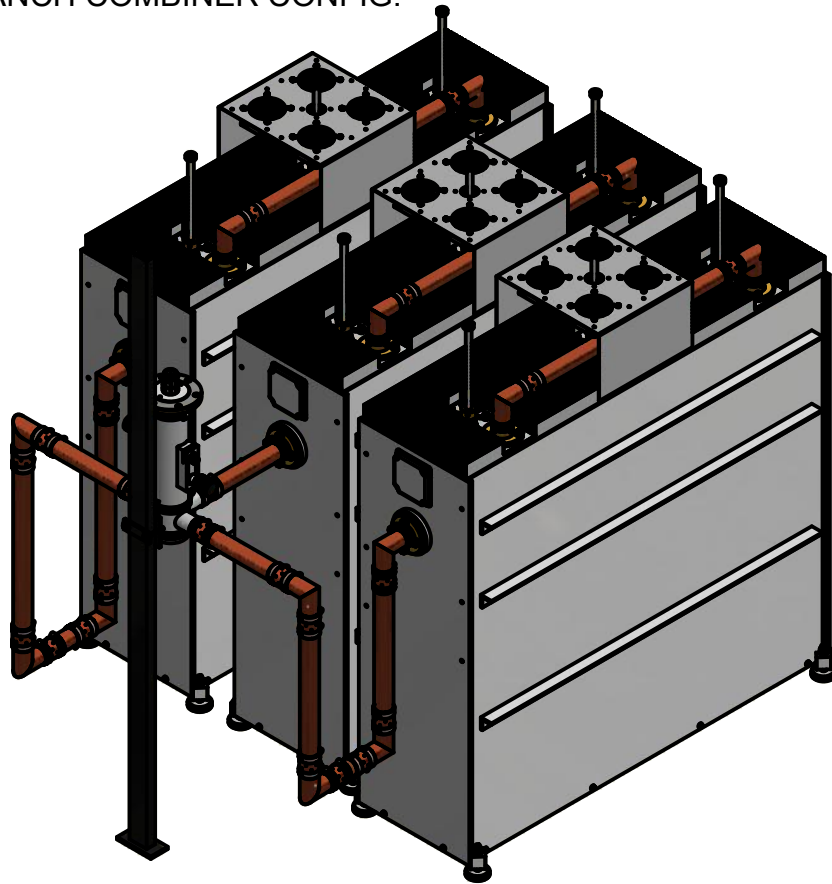


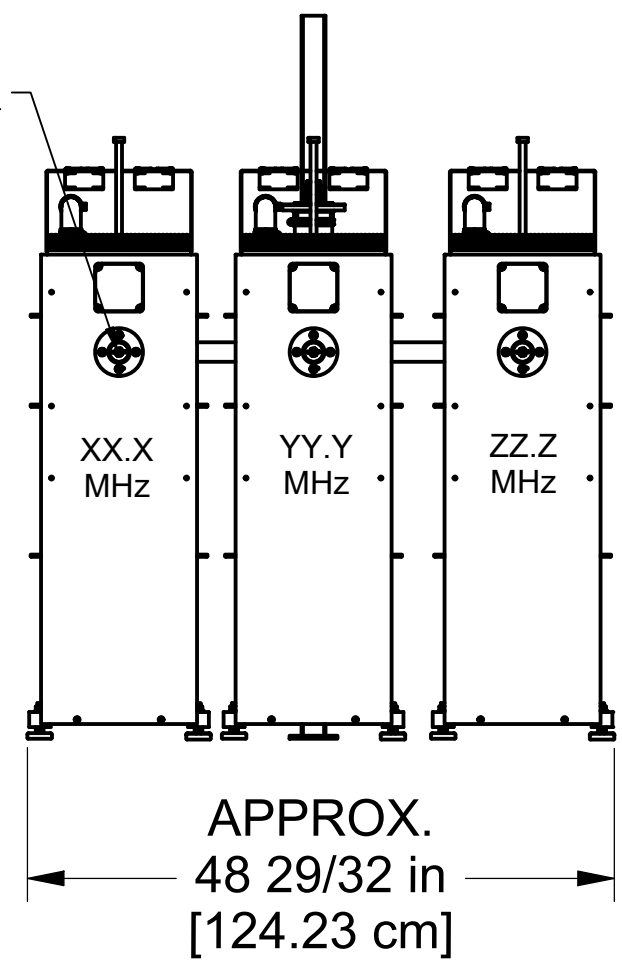
INVENTOR FILE LOCATION:  
 INVENTOR FILES > DENNIS > JOE >  
 BRANCH COMBINER CONFIG.



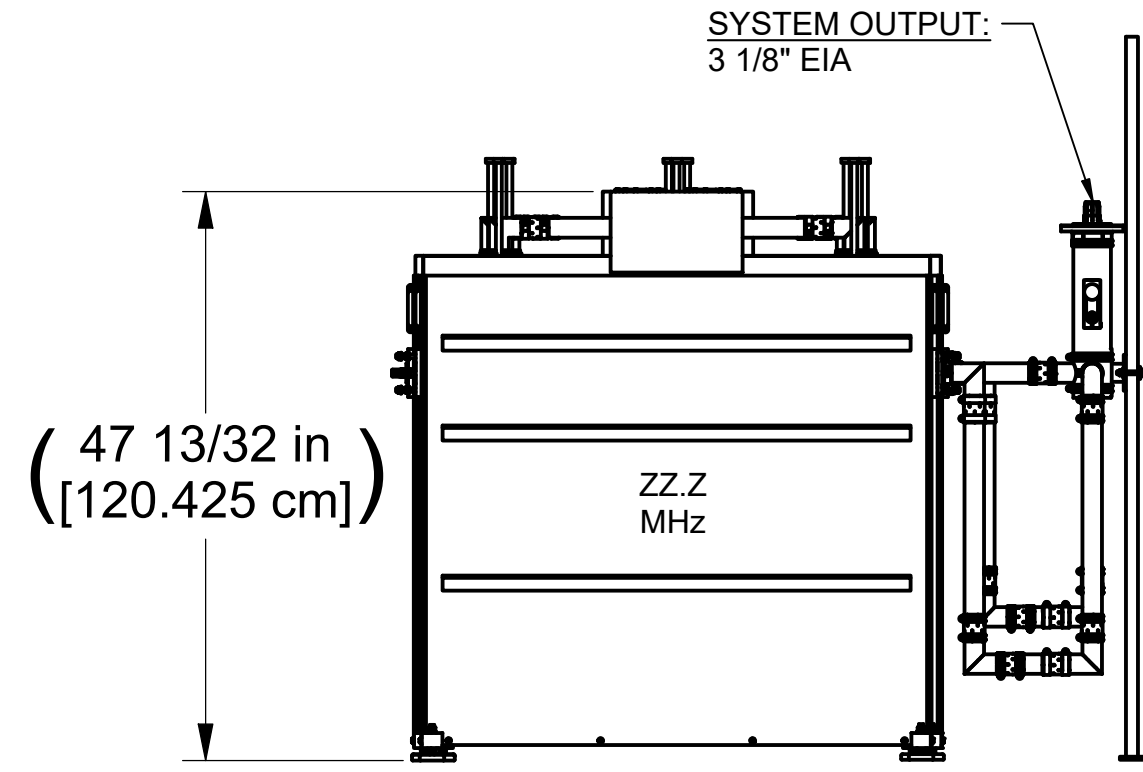
TOP VIEW

2 STATION BRANCHED COMBINER  
 Part No. BR-12(3B)F-12(3B)F-12(3B)F  
 Cavity size: 12" Bandpass  
 Number of Cavities: 3  
 Cooling option: Convection Cooled  
 Maximum Input power: 15 kW per Station  
 Shipping weight: Approx. 775 lb (351.53 kg)

FILTER INPUTS:  
 1 5/8" EIA, TYP.



INPUT VIEW



SIDE VIEW

NOTE:  
 CUSTOMER MUST PROVIDE ADEQUATE SUPPORT  
 TO CUSTOMER SUPPLIED INTERCONNECTING  
 TRANSMISSION LINE THAT WILL ATTACH TO  
 THIS COMBINER OUTPUT, TO PREVENT  
 DAMAGE TO FILTER CONNECTIONS AND  
 COMBINER OUTPUT COAXIAL NETWORK.  
 PROVIDE SUPPORT TO COMBINER OUTPUT  
 WHILE CONNECTING OUTPUT COAXIAL LINE  
 TO OUPUT FLANGE ON COMBINER.

THE DESIGNS, CONSTRUCTIONS, ARRANGEMENTS,  
 DISCLOSURES AND DEVICES SHOWN OR DESCRIBED IN  
 THE PROPOSALS, DRAWINGS, OR SKETCHES BEARING  
 THIS LEGEND ARE THE PROPERTY OF HOWELL  
 LABORATORIES, INC./SHIVELY LABS AND ARE  
 SUBMITTED IN CONFIDENCE WITH THE  
 UNDERSTANDING THAT SUCH DESIGNS,  
 CONSTRUCTIONS, ARRANGEMENTS, DISCLOSURES,  
 AND DEVICES SHALL NOT BE UTILIZED IN WHOLE OR IN  
 PART BY ANY PERSON, FIRM, CORPORATION, OR  
 DISCLOSED TO ANYONE OTHER THAN THE SUBMITTEE,  
 WITHOUT THE PRIOR WRITTEN PERMISSION OF  
 HOWELL LABORATORIES, INC.