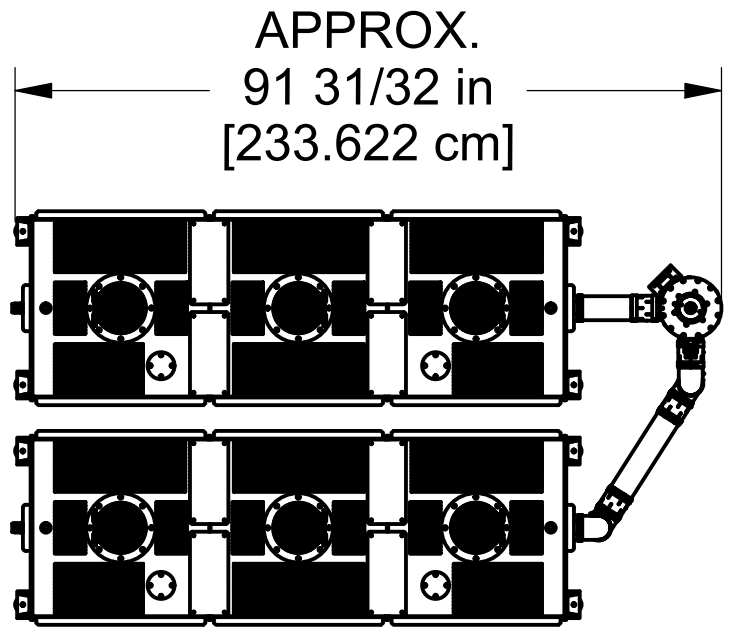
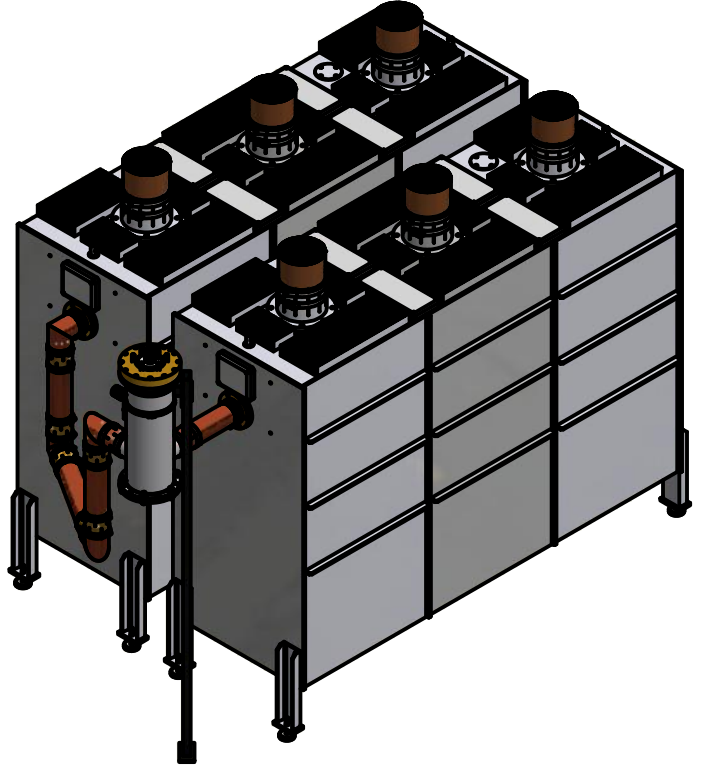
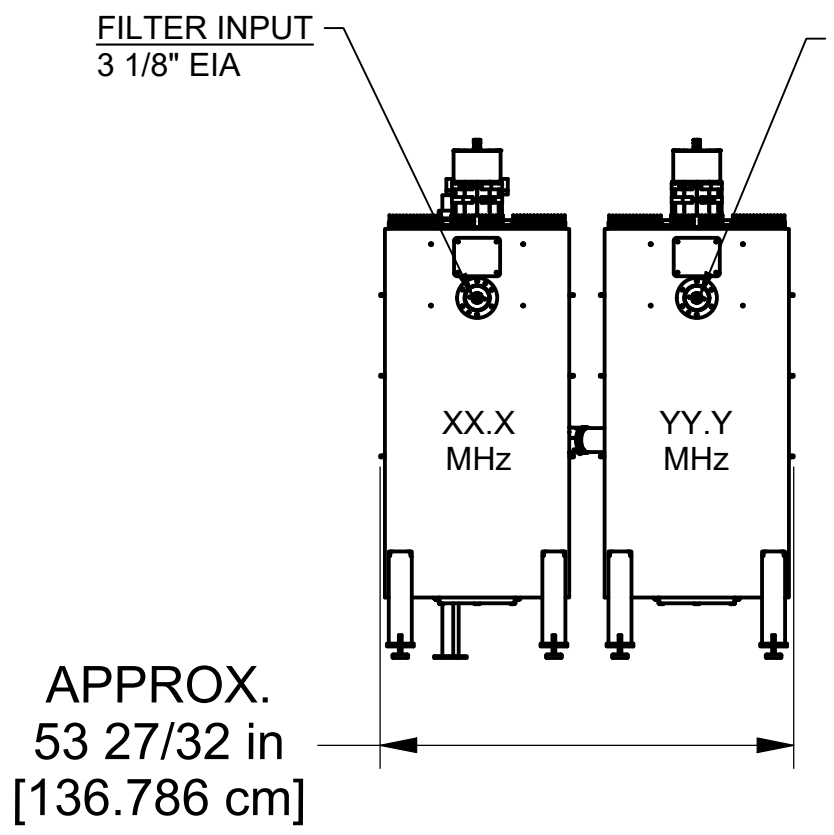


INVENTOR FILE LOCATION:  
 INVENTOR FILES > DENNIS > JOE >  
 BRANCH COMBINER CONFIG.

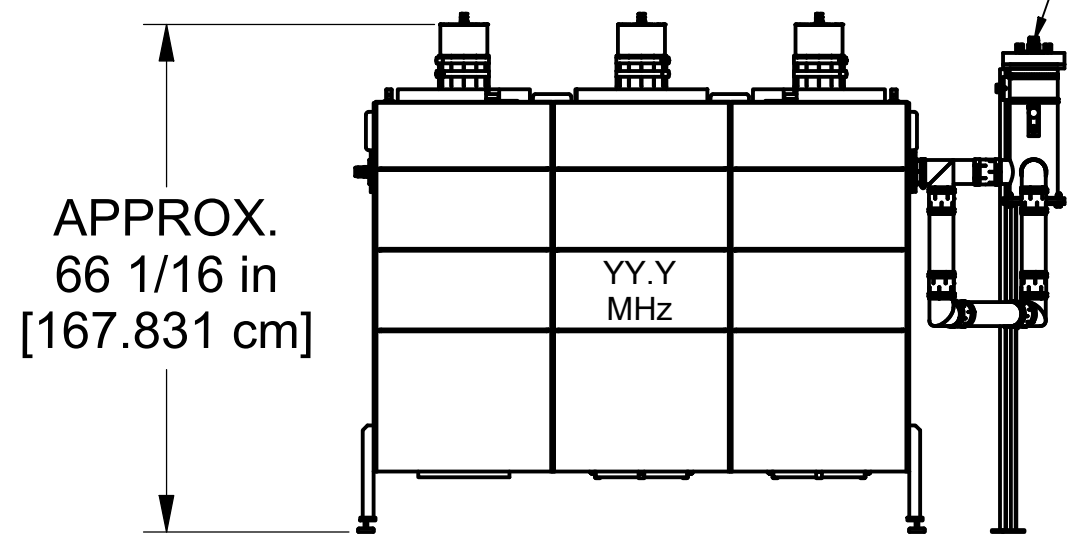


TOP VIEW

**2 STATION BRANCHED COMBINER**  
 Part No. BR-24(3)-24(3)  
 Cavity size: 24" Bandpass  
 Number of Cavities: 3  
 Cooling option: Convection Cooled  
 Maximum Input power: 30 kW per Station  
 Approx. Weight: 950 lb (476.2 kg)  
 Feed back loops required for 2 MHz spacing or less.



INPUT VIEW



SIDE VIEW

COMBINED SYSTEM OUTPUT:  
 3 1/8" EIA

**NOTE:**  
 CUSTOMER MUST PROVIDE ADEQUATE SUPPORT TO CUSTOMER SUPPLIED INTERCONNECTING TRANSMISSION LINE THAT WILL ATTACH TO THIS COMBINER OUTPUT, TO PREVENT DAMAGE TO FILTER CONNECTIONS AND COMBINER OUTPUT COAXIAL NETWORK. PROVIDE SUPPORT TO COMBINER OUTPUT WHILE CONNECTING OUTPUT COAXIAL LINE TO OUPUT FLANGE ON COMBINER.

THE DESIGNS, CONSTRUCTIONS, ARRANGEMENTS, DISCLOSURES AND DEVICES SHOWN OR DESCRIBED IN THE PROPOSALS, DRAWINGS, OR SKETCHES BEARING THIS LEGEND ARE THE PROPERTY OF HOWELL LABORATORIES, INC./SHIVELY LABS AND ARE SUBMITTED IN CONFIDENCE WITH THE UNDERSTANDING THAT SUCH DESIGNS, CONSTRUCTIONS, ARRANGEMENTS, DISCLOSURES, AND DEVICES SHALL NOT BE UTILIZED IN WHOLE OR IN PART BY ANY PERSON, FIRM, CORPORATION, OR DISCLOSED TO ANYONE OTHER THAN THE SUBMITTEE, WITHOUT THE PRIOR WRITTEN PERMISSION OF HOWELL LABORATORIES, INC.

