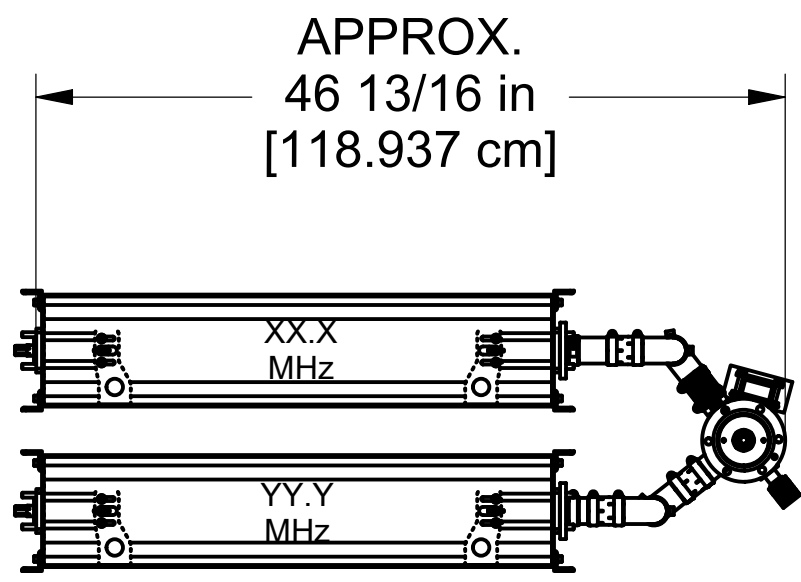
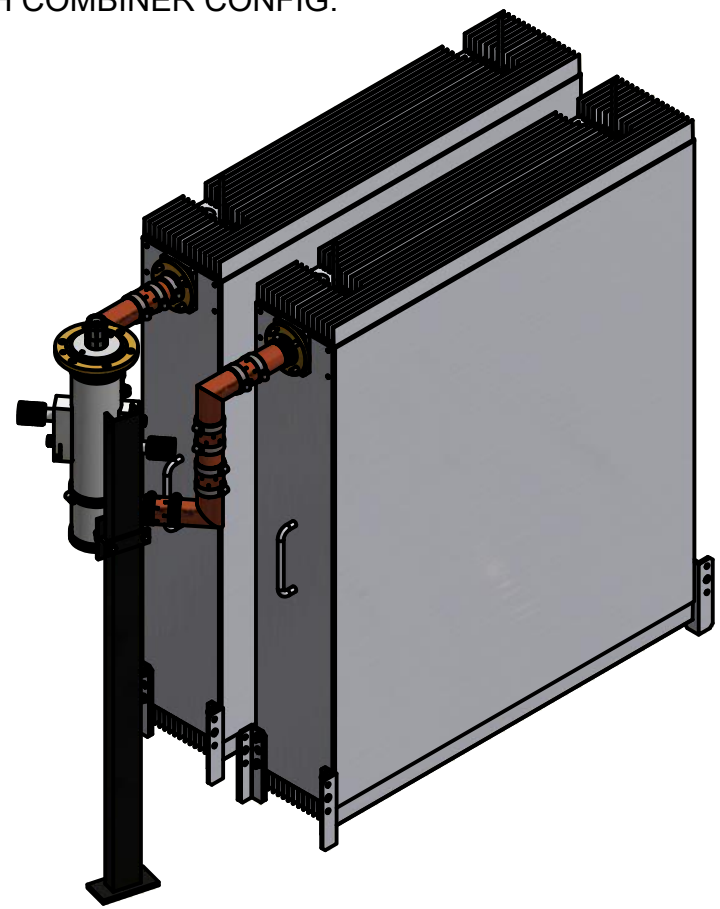


2 STATION BRANCHED COMBINER
 Part No. BR-6(3)-6(3)
 Cavity size: 6 inch Interdigital
 Number of Cavities: 3
 Cooling option: Convection Cooled
 Maximum Input power: 5 kW per Station
 Shipping weight: Approx. 360 lb (163.27 kg)

INVENTOR FILE LOCATION:
 INVENTOR FILES > DENNIS > JOE >
 BRANCH COMBINER CONFIG.

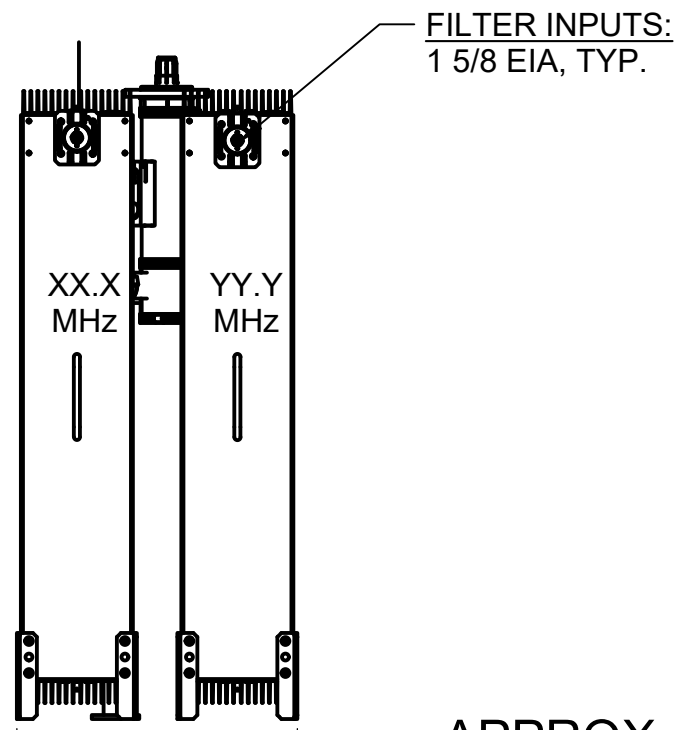


APPROX.
 46 13/16 in
 [118.937 cm]

TOP VIEW

COMBINED SYSTEM OUTPUT:
 3 1/8 EIA

NOTE:
 CUSTOMER MUST PROVIDE ADEQUATE SUPPORT
 TO CUSTOMER SUPPLIED INTERCONNECTING
 TRANSMISSION LINE THAT WILL ATTACH TO
 THIS COMBINER OUTPUT, TO PREVENT
 DAMAGE TO FILTER CONNECTIONS AND
 COMBINER OUTPUT COAXIAL NETWORK.
 PROVIDE SUPPORT TO COMBINER OUTPUT
 WHILE CONNECTING OUTPUT COAXIAL LINE
 TO OUPUT FLANGE ON COMBINER.



FILTER INPUTS:
 1 5/8 EIA, TYP.

XX.X
 MHz

YY.Y
 MHz

39 1/4 in
 [99.708 cm]

YY.Y
 MHz

39 11/32 in
 [99.911 cm]

APPROX.
 (17 17/32 in)
 [44.525 cm]

INPUT VIEW

SIDE VIEW

THE DESIGNS, CONSTRUCTIONS, ARRANGEMENTS,
 DISCLOSURES AND DEVICES SHOWN OR DESCRIBED IN
 THE PROPOSALS, DRAWINGS, OR SKETCHES BEARING
 THIS LEGEND ARE THE PROPERTY OF HOWELL
 LABORATORIES, INC./SHIVELY LABS AND ARE
 SUBMITTED IN CONFIDENCE WITH THE
 UNDERSTANDING THAT SUCH DESIGNS,
 CONSTRUCTIONS, ARRANGEMENTS, DISCLOSURES,
 AND DEVICES SHALL NOT BE UTILIZED IN WHOLE OR IN
 PART BY ANY PERSON, FIRM, CORPORATION, OR
 DISCLOSED TO ANYONE OTHER THAN THE SUBMITTEE,
 WITHOUT THE PRIOR WRITTEN PERMISSION OF
 HOWELL LABORATORIES, INC.